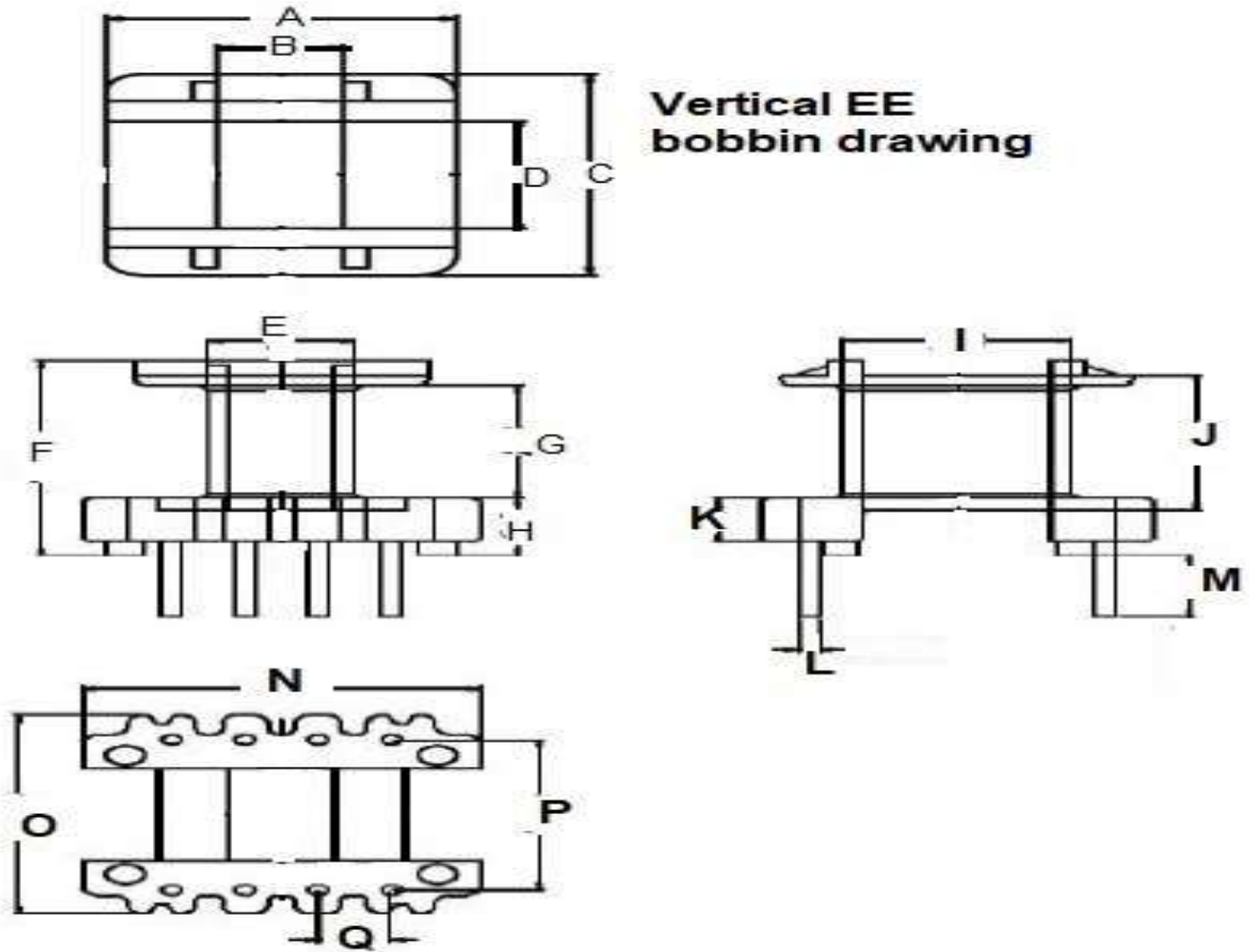


Technical Data Sheet RoHS Compliant Product

EE17*6*8V Bobbin (Vertical)



Product Specifications:

Geometry	Pin	A	B	C	D	E	F	G	H	I	J	K	L	M	N	O	P	Q
EE17*6*8V	5+5	11.5	4.75	15	8.4	6.75	12.3	5.8	4	10	7.7	2.3	0.7	4.5	16.2	16.5	13	3

Geometry: EE17*6*8 (V) 5+5 P	Material: Phenolic	Scale:	Angle: ±1° ▲
	Pin Material: CP Wire	Unit: mm	Document Rev: 0
	Pin Pitch Tolerance: ±0.20mm	UL REQ: UL 94V-0	
	Dimensions Tolerances: 0~4mm: ±0.1mm, 4~16mm: ±0.2mm, 16~63mm: ±0.3mm		